

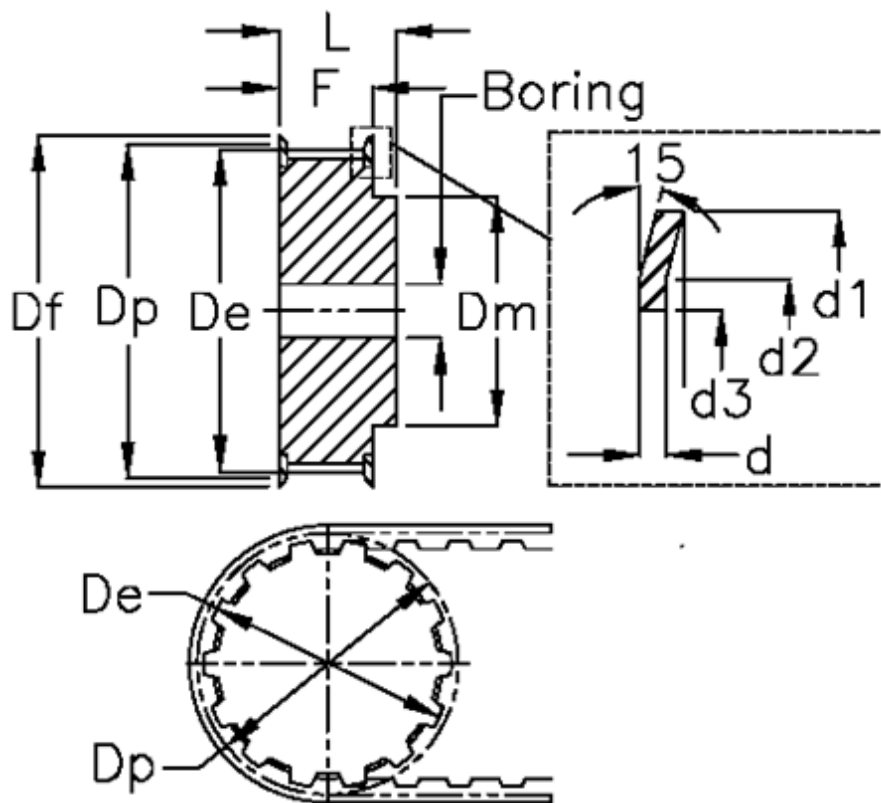
Data Sheet



Article number: 604145048085

Description: Timing belt pulley with hub
HTD 48 14M 85

Measures



Bore = 32	Dp	= 213.9
d = 2.5	F	= 102
d1 = 226	Flange type	= F62
d2 = 214	L	= 117
d3 = 190	Tooth number	= 48
De = 211.11	Type	= 14M
Df = 226	Weight	= 25
Dm = 150	Width	= 85